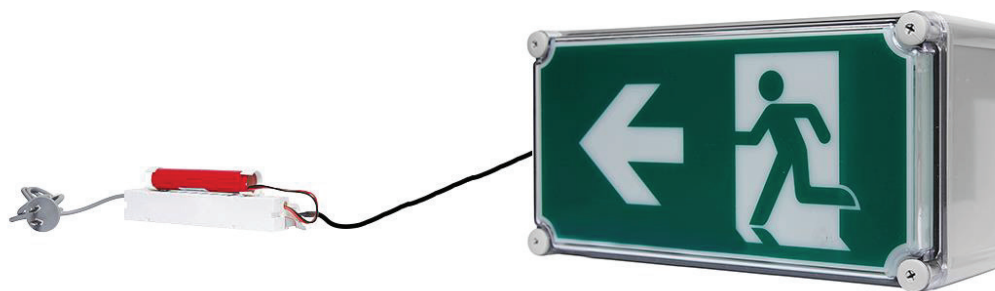


Datasheet

Freezer Weatherproof Exit



CAT. NO. 684659/LI, 684669/LI, 659570LI, 659571LI, 659572LI, 659579/LI,
659580/LI, 659581/LI, 659582/LI



659579/LI

Operating Mode	Maintained
Nominal Input Voltage	230 - 240 V a.c. 50 Hz
Operating Temperature	10° C to 40° C (Remote Gear) -30° C to 40° C (Exit sign)
Power Consumption	4 W (for 24m version) 4.5 W (for 32m version)
Inrush Current	5 A peak
Light Source Life (LSL)	100,000 hrs
Battery	Li-ion 6.4 V 1.5 Ah
Body Construction	Polycarbonate
Diffuser	Polycarbonate
IP Rating	IP65
IK Rating	IK08
Product Weight	2.3kg (for 24m version) 4.5kg (for 32m version)
Compliance	AS/NZS 60598, AS/NZS 2293, AS CISPR 15
Product Marking	  R-NZ

Freezer Weatherproof Exit

CAT. NO. 684659/LI, 684669/LI, 659570LI, 659571LI, 659572LI, 659579/LI, 659580/LI, 659581/LI, 659582/LI



FEATURES

- Freezer exit sign with remote gear and 3m connecting cable.
- Two sizes: 24m and 32m viewing distance.
- iSmart™ temperature sensing technology for Li-ion battery.
- Electronics designed to lengthen the life of the battery.
- Environmentally friendly battery.
- 5 Year Warranty
- Designed and Manufactured in Australia.

Cat. No.	Description	Photometric Classification	
		C ₀	C ₉₀
24m		E2.5	E2.0
684659/LI	Freezer WP exit RM		
659579/LI	Freezer WP exit RML		
659580/LI	Freezer WP exit RMR		
684669/LI	Axiom WP exit RM		
659581/LI	Axiom WP exit RML		
659582/LI	Axiom WP exit RMR		
32m			
659570LI	Freezer WP exit RM		
659571LI	Freezer WP exit RML		
659572LI	Freezer WP exit RMR		

Accessories	
684690	Wall bracket for 24m exit
684691	Side bracket for 24m exit
684692	Ceiling bracket for 24m exit

RM = Running man straight RML = Running man left RMR = Running man right

SPACING TABLE

Maximum spacing between luminaries for 0.2lux (Australia)

Mounting Height (m)	2.4	2.7	3.0	3.3
E2.0	5.2 m	5.2 m	5.2 m	0.0 m
E2.5	5.6 m	5.8 m	5.8 m	5.8 m

As per AS/NZS 2293:1

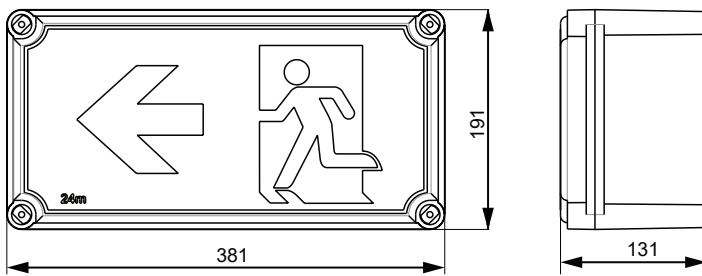
0.0m – can be used as a dual-purpose exit sign without a spacing as per clause 4.5 of AS/NZS2293.1
For New Zealand, this exit sign is only classified as an internally illuminated exit sign.

Freezer Weatherproof Exit

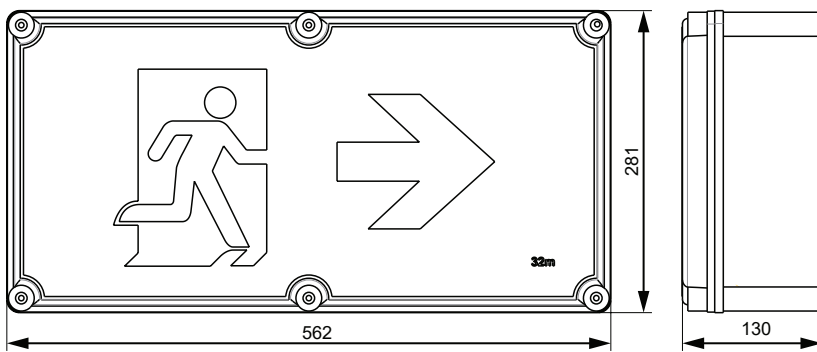
CAT. NO. 684659/LI, 684669/LI, 659570LI, 659571LI, 659572LI, 659579/LI,
659580/LI, 659581/LI, 659582/LI



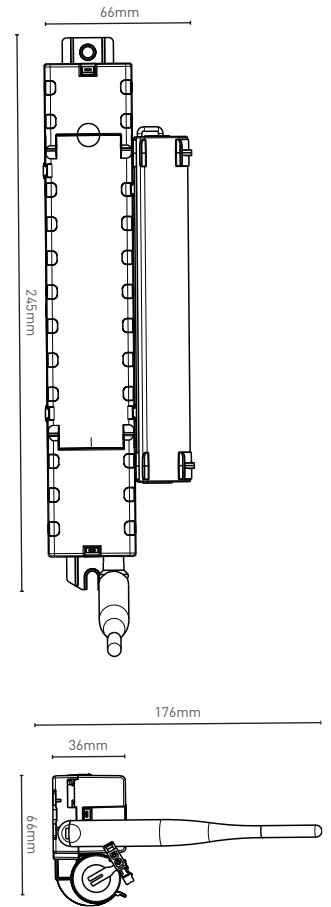
DIMENSIONS



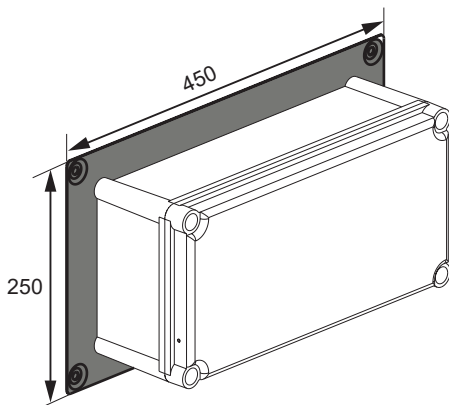
24m Exit



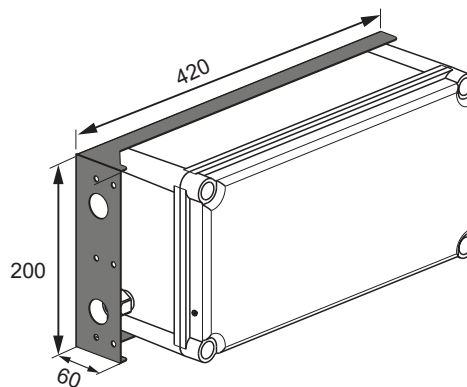
32m Exit



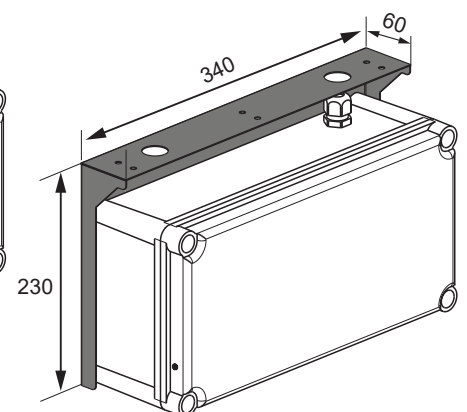
Rear mounting bracket (684690)



Side mounting bracket (684691)



Ceiling mounting bracket (684692)



Note: All dimensions are in mm.

Legrand - Australia
1300 369 777
www.legrand.com.au
ABN 31 000 102 661

Refer to your group buying office, Legrand Sales Representative or Legrand Sales Office for pricing.

Legrand - New Zealand
0800 476 009
www.legrand.co.nz

Please note: specifications are subject to change without prior notice.

LE14135AA

06/2023